

UNMATCHED QUALITY AND SIMPLICITY

The NEW **IR-2000** monochrome camera is the next evolution of IR imaging for applications requiring fast response and excellent sensitivity in both the visible and NIR (up to 1100nm). Available in a stand-alone configuration or PC ready, the **IR-2000** features live imaging at industry leading frame rates and up to 4K resolution. Users can operate in an auto mode or access on-screen menus for camera settings, annotation, measurements, time lapse, and more! Real-time zoom provides instant magnification for viewing small details in live or captured images.

- 6.3 MP (3072 x 2048) CMOS USB 3.0 camera
- Excellent response in visible and NIR (up to 1100nm)
- Selectable on-screen resolutions and fast frame rates, including:
 - 3072 x 2048 @ 30fps max
 - 1920 x 1080 @ 90fps max
 - 640 x 480 @ 248 fps max
- On-screen image enhancement controls, including
 - Auto/manual gain
 - Auto/manual exposure (1/50,000 sec to 60 sec)
 - Brightness & contrast controls
 - Real-time edge enhancement
 - Real-time zoom for viewing small details
- On-screen capture and add-on tools, including
 - Easy capture & record buttons
 - Time lapse recording
 - Save File: Bmp, Jpeg, Gif, Tiff, Png
 - Measurement tools – stored calibrations
 - On/off overlays, scale bar, annotations
 - Drawing tools (crosshair, mouse, grid, etc.)
- Trigger & I/O inputs
- 0.5X C-mount microscope coupler recommended

TWO MODELS OFFER USERS GREATER FLEXIBILITY

PC Ready

IR-2000 with IR-Capture software –USB 3.0 output for interface with Windows OS computer

Stand-Alone

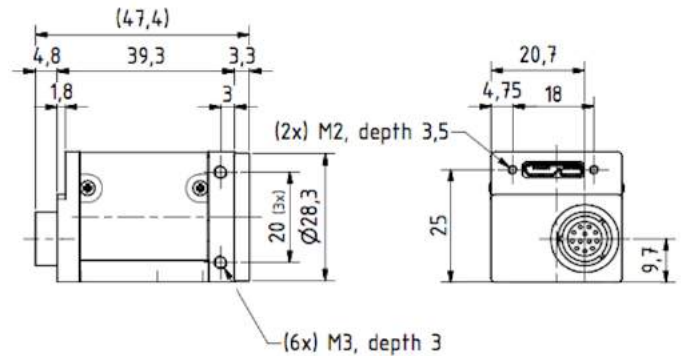
IR-2000 with controller – ready to go out of the box – no software download required. Connect directly to HD/UHD display via HDMI. On-screen display offers access to all IR-Capture functions. Capture images in controller or to USB drive (*requires mouse & keyboard*)



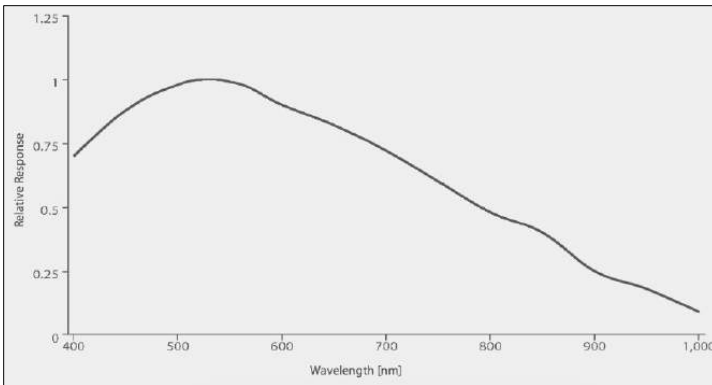
IR-2000 Stand-Alone

Electrophysiology Fluorescence Microscopy Brightfield Darkfield
Phase Contrast Semiconductor Inspection Failure Analysis
Forensic Analysis Teaching Environment

IR-2000 Camera Head



IR-2000 Spectral Curve



IR-2000 - SPECIFICATIONS

Image Sensor:	1-1/8 inch CMOS, Monochrome
Resolution:	3,072 x 2,048 (6.3MP) max – selectable resolution
Live Frame Rates/Resolution: (selectable)	30 fps max @ 3,072 x 2,048 90 fps max @ 1,920 x 1,080 248 fps max @ 640 x 480
Region of Interest:	Real-time zoom, user selectable
Shutter:	20 µsec to 60 sec
Output Signal:	Camera: USB 3.0 Controller: Display - HDMI; Ports – 4 x USB 3.0, Type-A 1 x Micro SD/SDHC/SDCX
Power:	Camera: 4.5 VDC to 5.5 VDC, ~20 mA @ 5 VDC Controller: 19 VDC, 3.43A
Lens Mount:	C/CS
Coupler:	0.5X microscope coupler recommended
Dimensions:	Camera: 29mm x 29mm 43mm Controller: 4.5 x 4.4 x 2.0" / 114.3 x 111.8 x 50.8mm
Operating Temperature:	-5° C to 45° C
Operating Humidity:	20% to 80% (non-condensing)
Minimum PC: (for PC-Ready IR-2000)	Windows 7, 8, 10 (32 & 64 bit) Intel Core i3 or similar, 2 GB RAM Direct X 10 or higher graphics card USB 3.0 port
Mouse & Keyboard:	Required
VESA Mount:	Included

**Design and specifications are subject to change without notice*